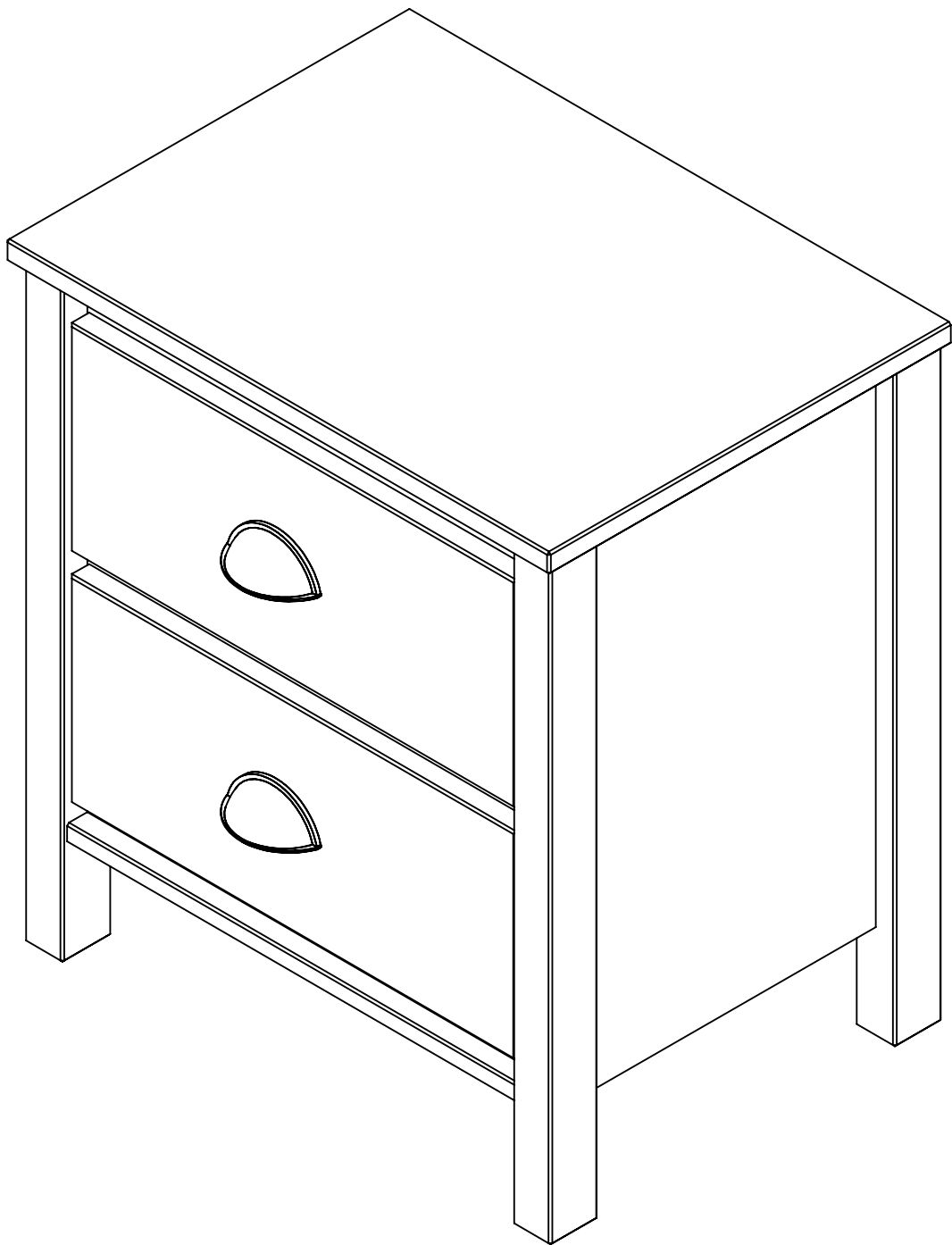
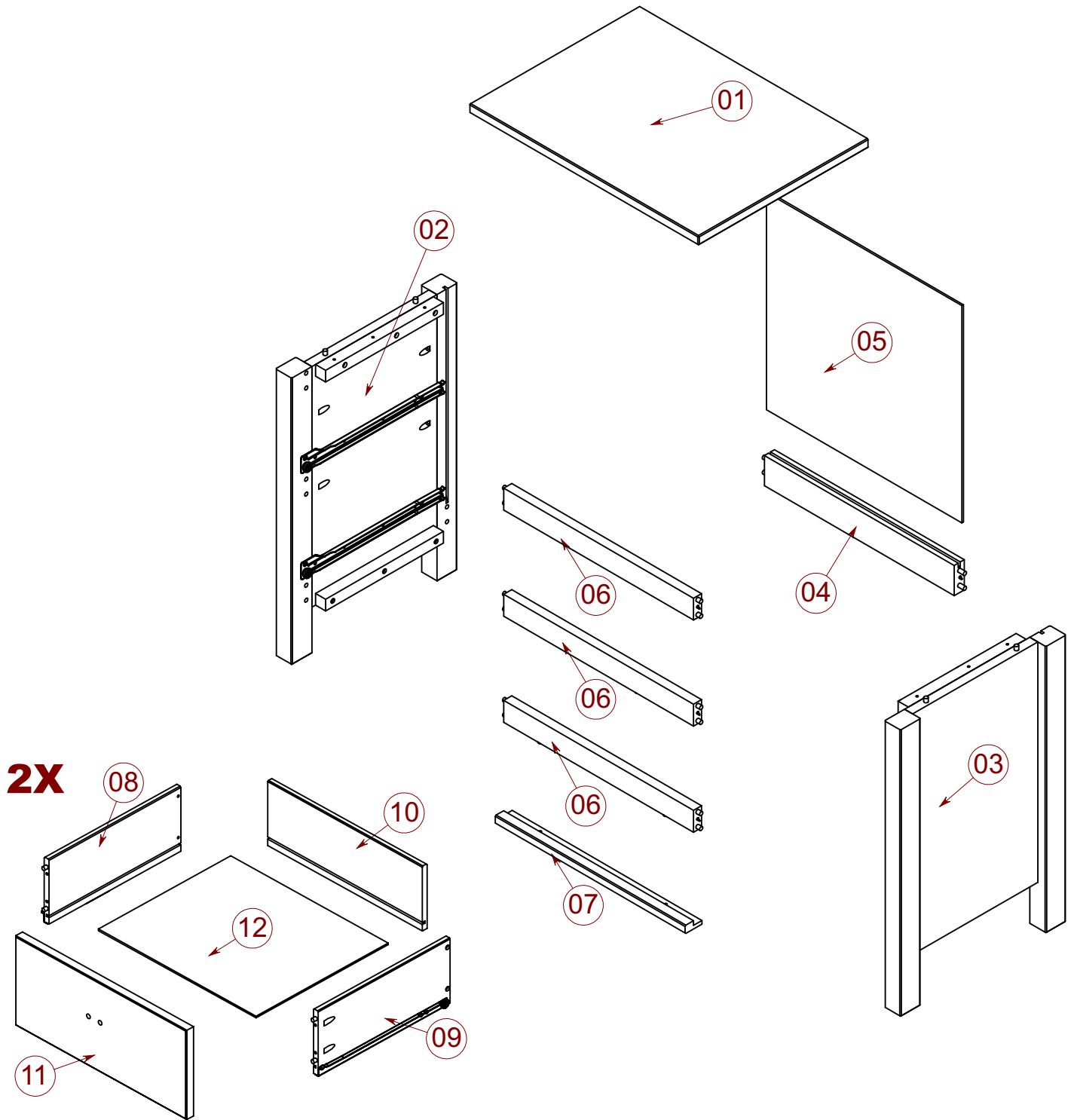


ASSEMBLY INSTRUCTIONS

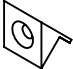
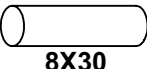
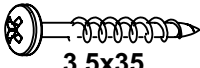

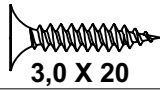

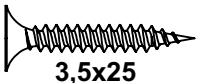
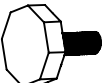
2 DRAWERS NIGHTSTAND



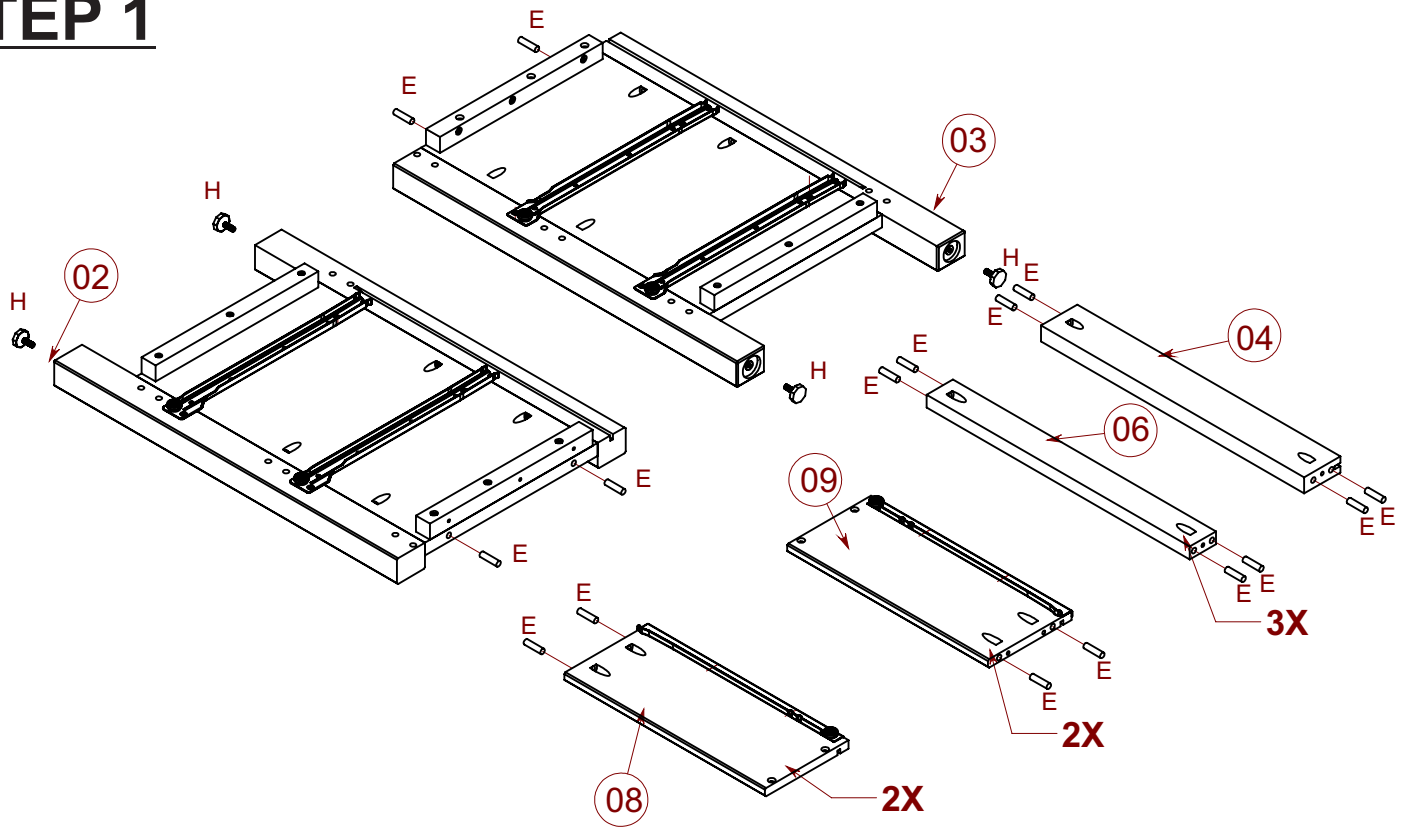
COMPONENTS



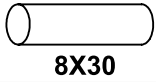
HARDWARE

A		08	E	 8X30	28
B	 3,5x35	30	F		02
C	 3,0 X 20	08	G	 M4X25	04
D	 3,5x25	02	H		04

STEP 1



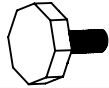
E



8X30

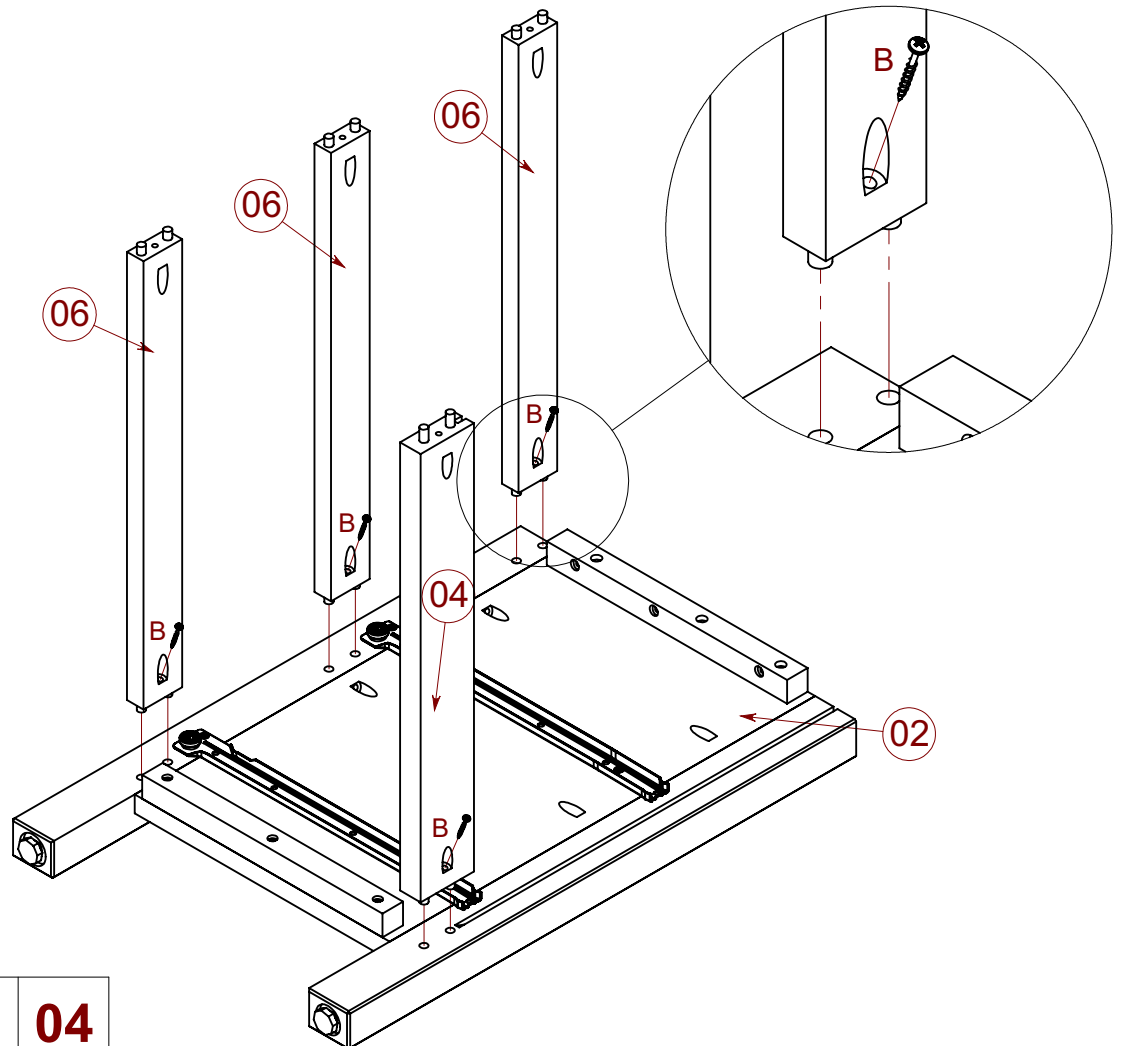
28

H

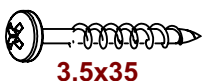


04

STEP 2



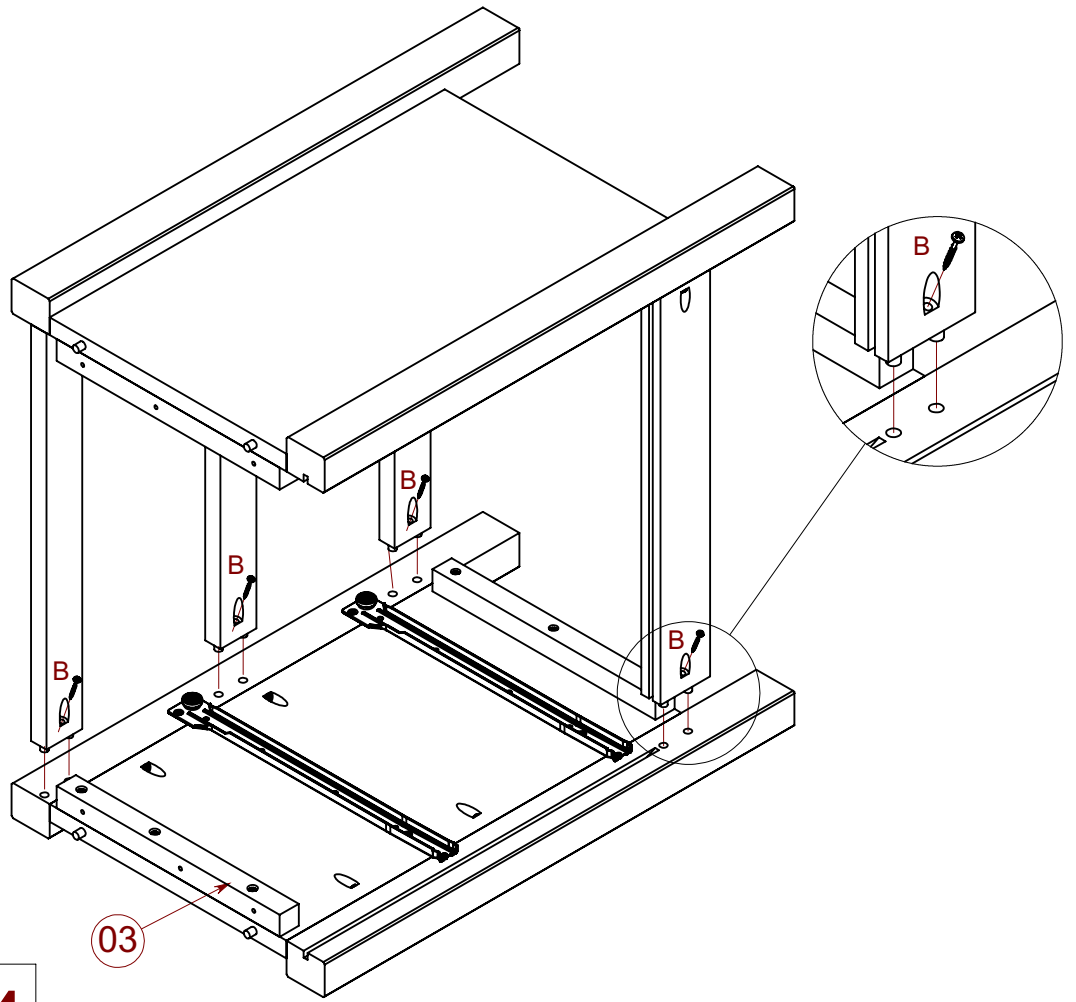
B



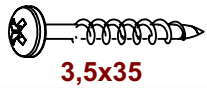
3,5x35

04

STEP 3

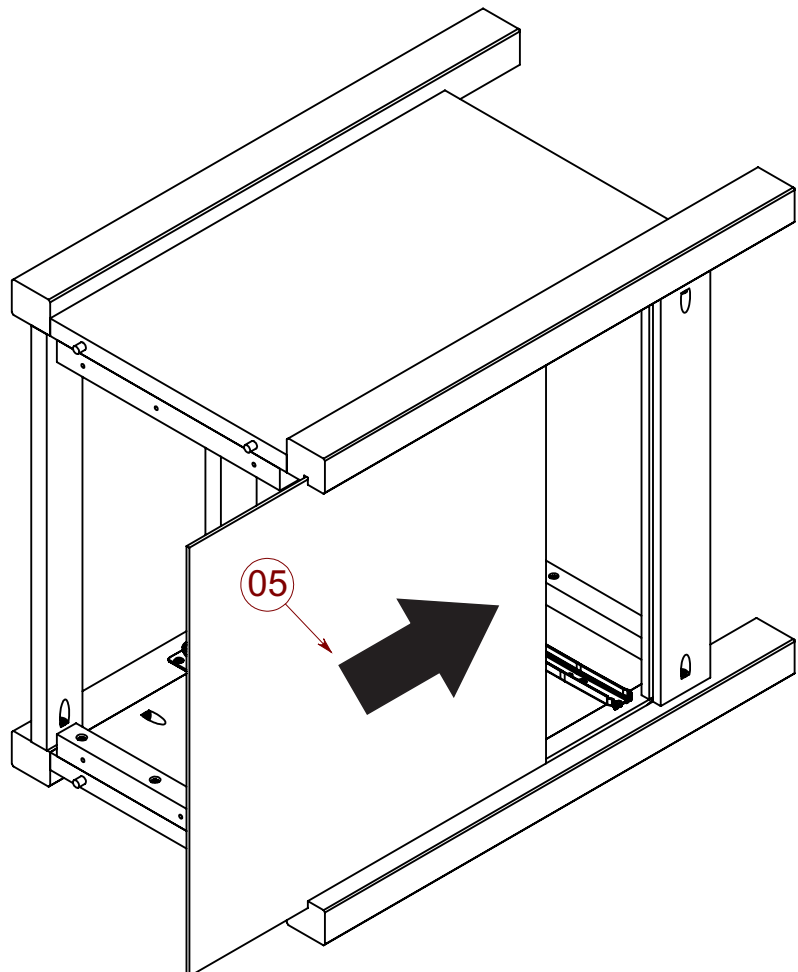


B

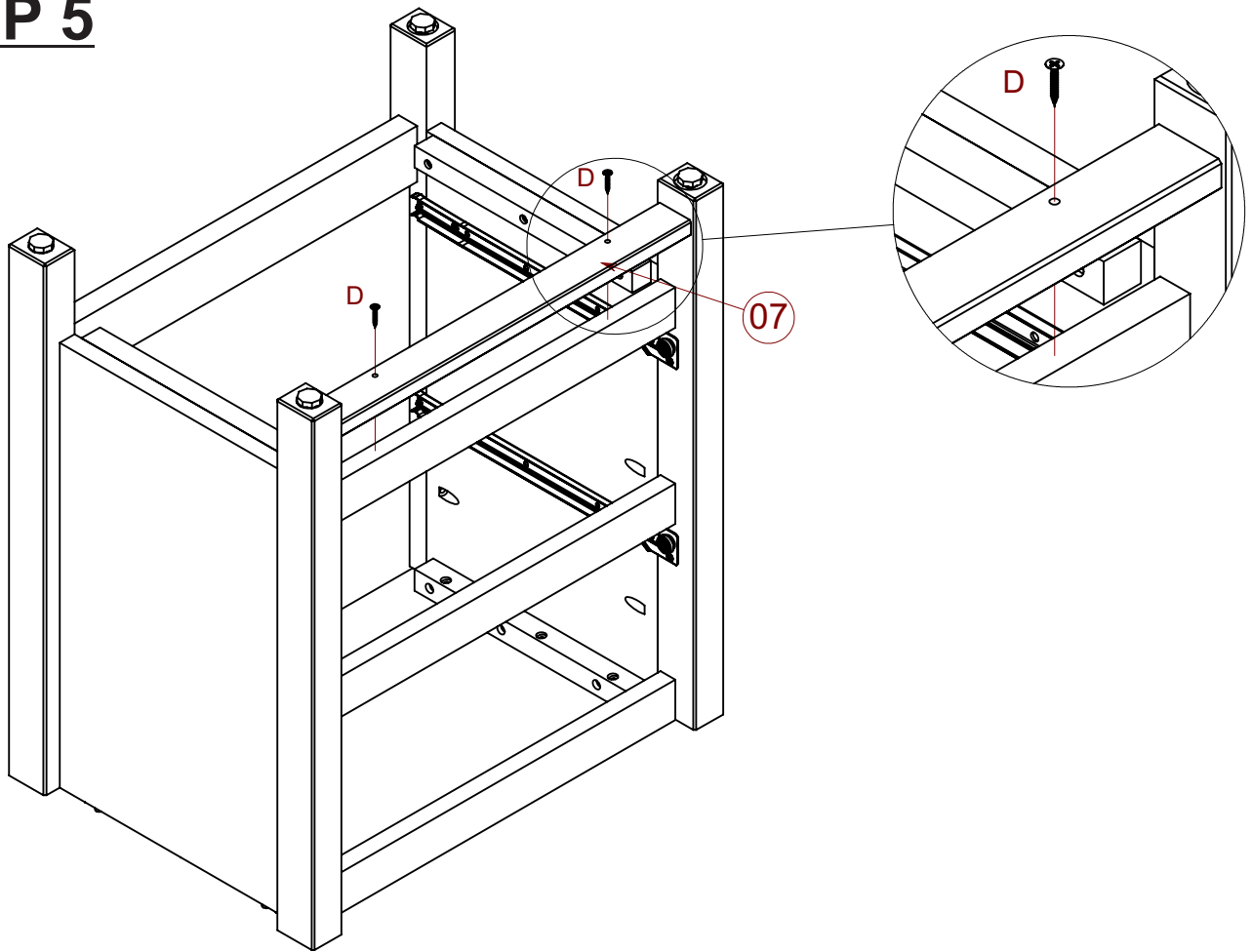


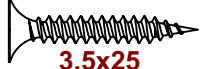
04

STEP 4

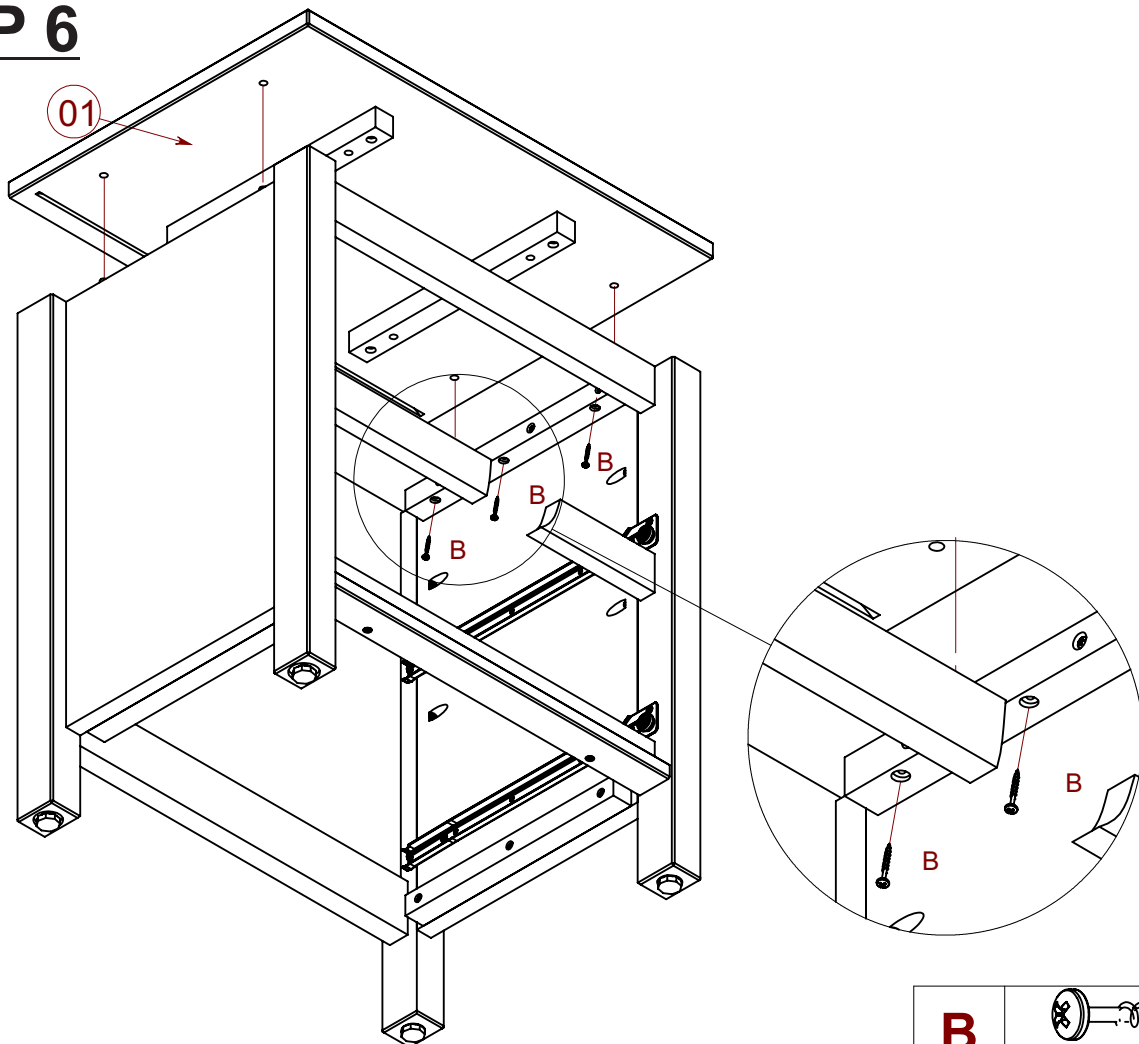



STEP 5



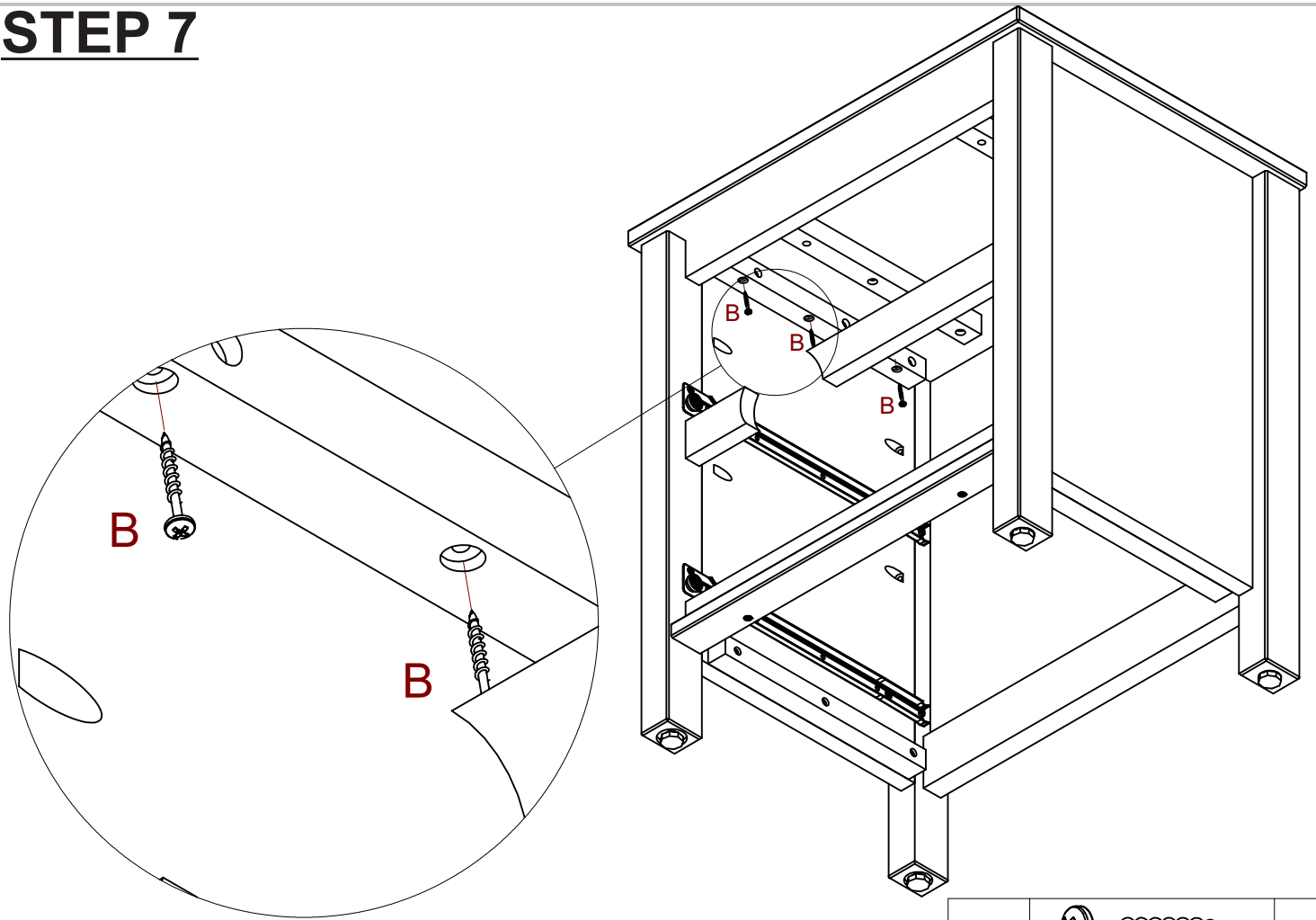
D	 3,5x25	02
----------	---	-----------

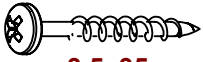
STEP 6



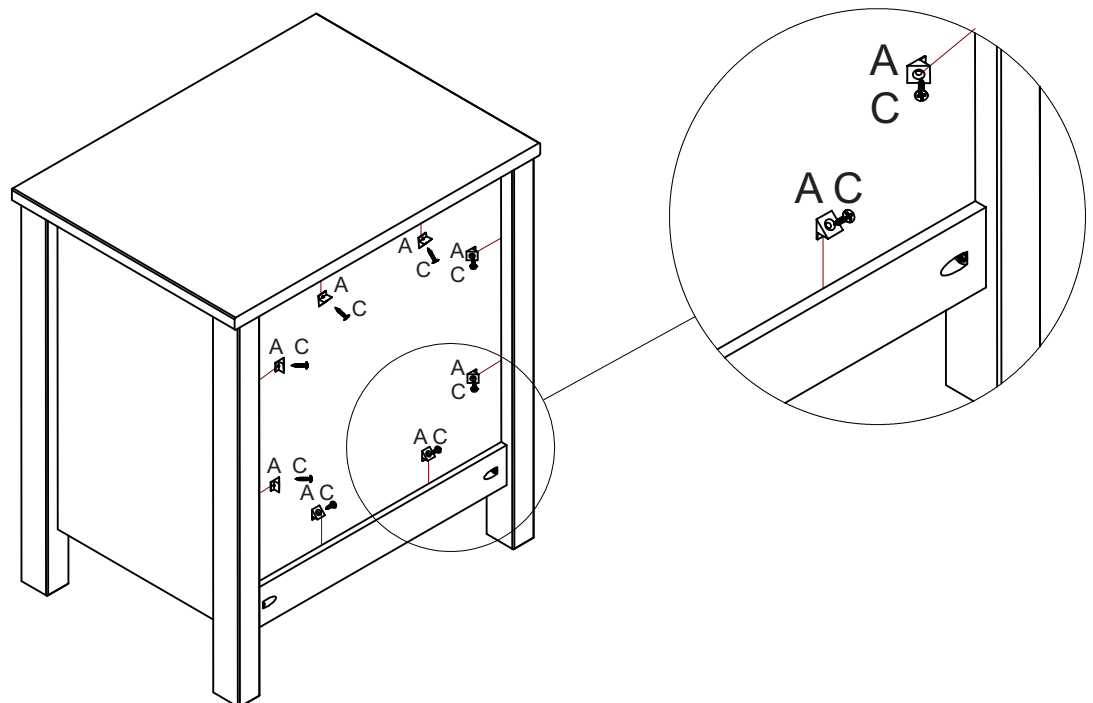
B	 3,5x35	03
----------	---	-----------



STEP 7



B	 3,5x35	03
----------	---	-----------

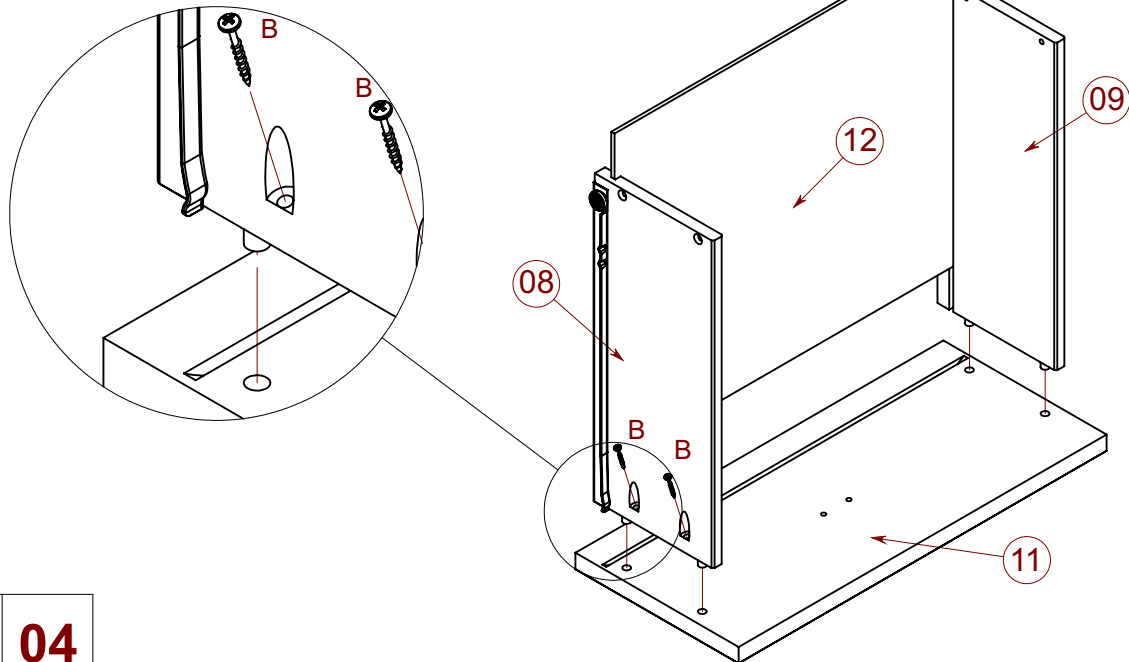
STEP 8



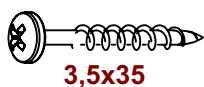
A		08
C	 3x20	08

STEP 9

2X



B

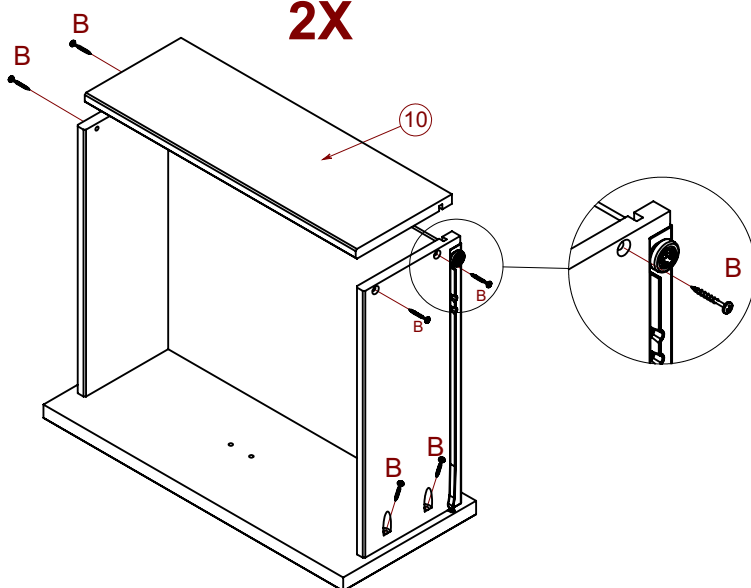


3,5x35

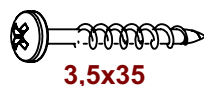
04

STEP 10

2X



B

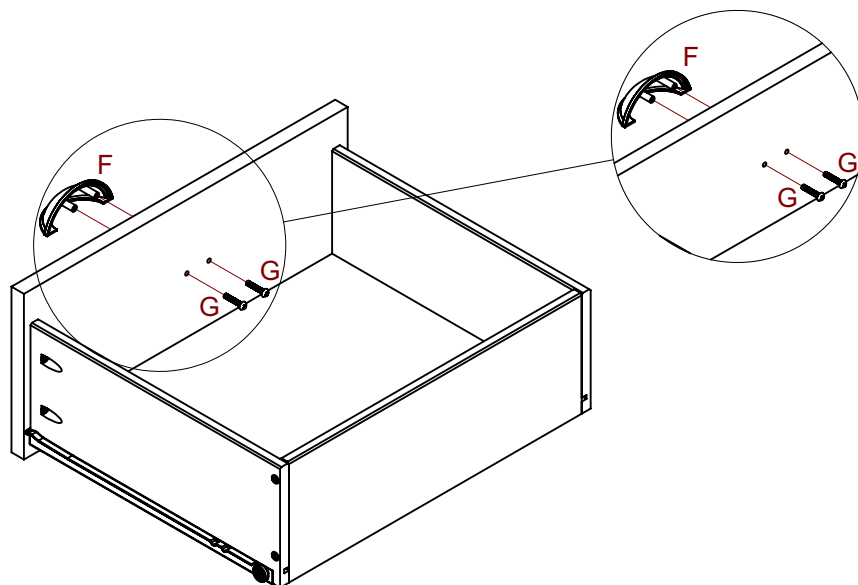


3,5x35

12

STEP 11

2X



F



02

G



M4X25

04

